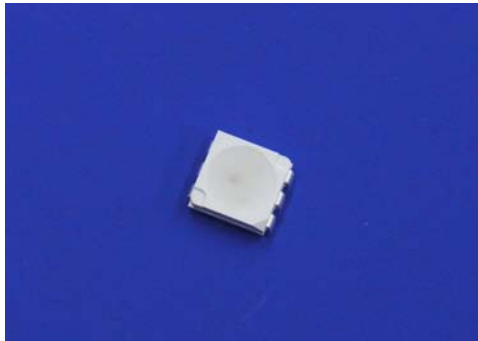


Full Color Chip LED

ALC-F553

RoHS Compliant



Characteristics

- 1) Three die equals full color capabilities
- 2) Uniformed spatial radiation pattern
- 3) Compact package
- 4) High reliability

Absolute Maximum Ratings at Ta=25°C

Item	Symbol	Value			Unit
		Red	Green	Blue	
Power Dissipation *1	P _D	400			mW
Forward Current	I _F	50			mA
Pulse Forward Current *2	I _{FP}	120	100		mA
Reverse Voltage	V _R	5.0			V
Operating Temperature Range	T _{opr}	-20 to +85			°C
Storage Temperature Range	T _{stg}	-30 to +100			°C
Soldering Temperature Range	T _{sol}	Reflow soldering: 260°C max., 5 seconds max. Soldering iron: 300°C max., 3 seconds max.			°C

*1 Value when two or more devices are lit simultaneously.

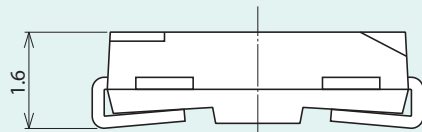
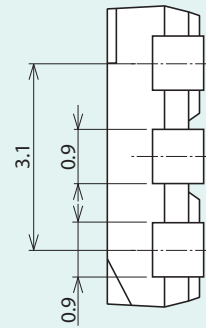
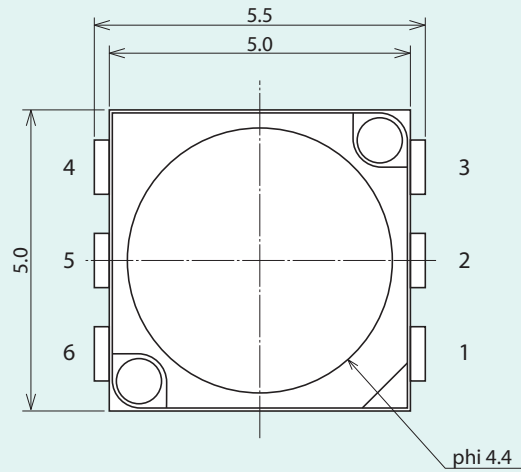
*2 Duty 1/10, Pulse width 1ms

Optical Characteristics at Ta=25°C

Item	Symbol		Value			Unit	Condition
			Red	Green	Blue		
Forward Voltage	V _F	Typ	2.1	3.3	3.2	V	I _F =20mA
		Max	2.6	3.8	3.8		
Reverse Current	I _R	Typ	-	-	-	μA	V _R =5V
		Max	100	100	100		
Luminous Intensity	I _v	Typ	650	1600	480	mcd	I _F =20mA
		Max	-	-	-		
Dominant Wavelength	λ _d	Typ	616	522	467	nm	I _F =20mA
		Max	-	-	-		
Spectral line half-width	Δλ	Typ	20	33	23	nm	I _F =20mA
		Max	-	-	-		

Package Dimensions

Unit : mm
Tolerance : ± 0.1



Do not put on the stress to the top.

[Circuit diagram]

