

# Line type Small LED Lighting

## AI-1010G



### Characteristics

- 1) 12 PowerLED mounted(@60mm)
- 2) Small Line Lighting
- 3) Max length: 1200mm(1unit)
- 4) Heat dissipation(Alluminum body)
- 5) Luminous color(White, Warm white)
- 6) High color rendering index (Ra ≥ 80)
- 7) Long Operating Life(40,0000 hours)

*\*At 70% of Initial output*

### Description of Part Number

**AI-1010G** - \* \* - \* \* \* \*

(1)                      (2)                      (3)

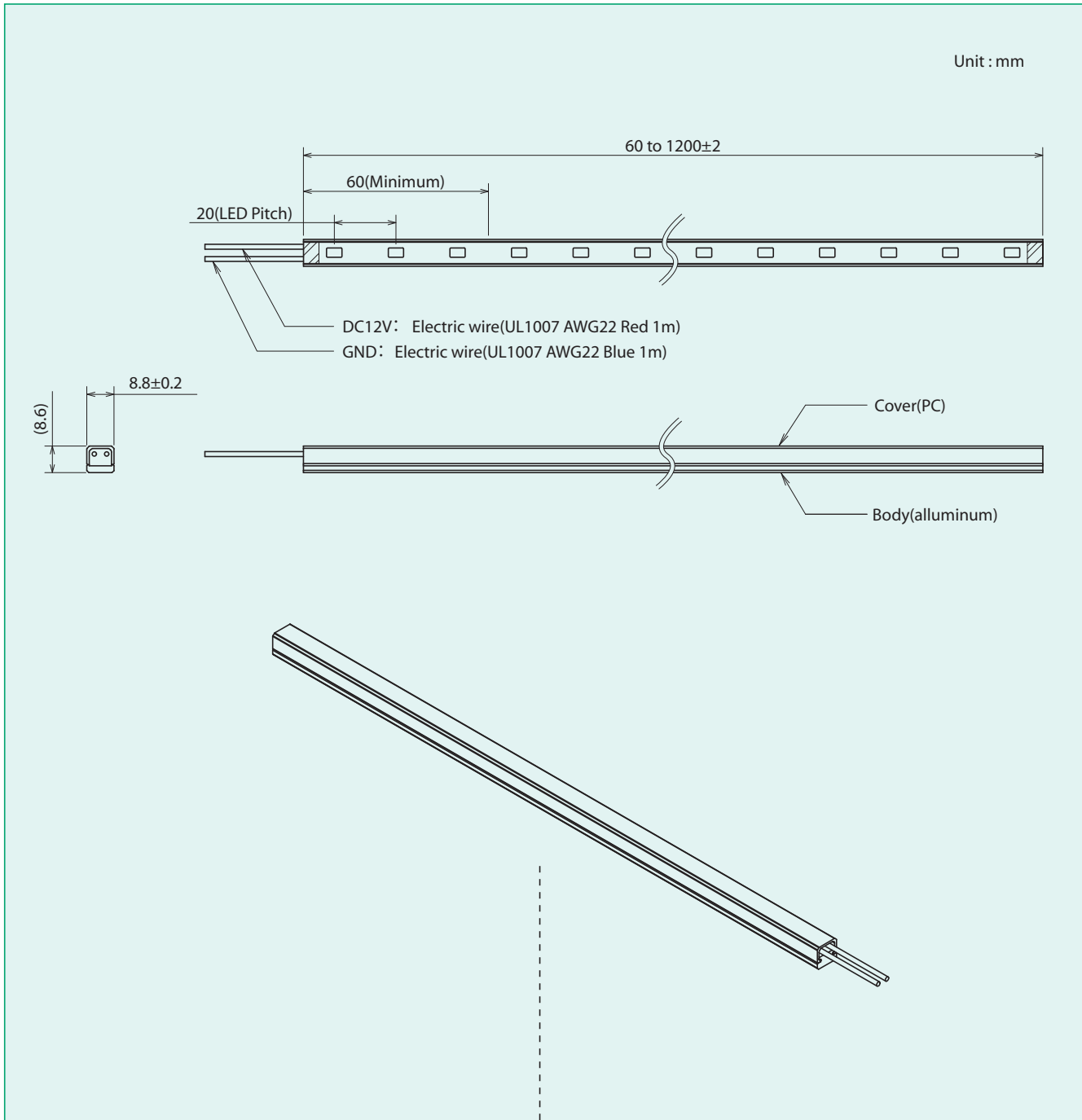
<b>(1) Model Code</b>	AI-1010G
<b>(2) Color Temperature</b>	D1: 6500K N1: 5000K W1: 4000K WW: 3500K L2: 2700K
<b>(3) Length</b>	60 to 1200(mm)

### Unit Specification

Item	Ratings					Unit
	D1	N1	W1	WW	L2	
Input Voltage	DC12					V
Power Consumption *1	0.6					W
Total Luminous Flux *1 *3	(64)	(66)	(64)	(61)	(59)	lm
Unit Length	60 to 1200					mm
Color Temperature	(6,500)	(5,000)	(4,000)	(3,500)	(2,700)	K
Number of LED *1	3					pcs
Operating Life *2	about 40,000					hrs
Operating Temperature Range *4	-10 to +35					°C

\*1 Value of per 60mm  
 \*2 At 70% of initial output  
 \*3 Typ: 5000K  
 \*4 No condensation

## Package Dimensions



· The appearance and specifications of the product may be modified for improvement without notice.



**A'SYCK Co., Ltd.**

37-1, Nishiura, Hironocho, Uji City, Kyoto, JAPAN 611-0031  
Phone: 010-81-774-41-3777 Fax: 010-81-774-44-6575