

16x16 DotMatrix

RoHS Compliant

AM-1640RG



Characteristics

- 1) 16x16 dot matrix
- 2) Dimensions: 40x40mm
- 3) High brightness, 2 color
Red: GaAlAs/GaAs
Green: GaP/GaP
- 4) 2mm dot and 2.5mm pitch

Absolute Maximum Ratings at Ta=25°C

Item	Symbol	Value		Unit
		Red	Green	
Power Dissipation	PD	3.0	3.2	mW
Forward Current	IF	20		mA
Pulse Forward Current	IFP	80		mA
Reverse Voltage	VR	5		V
Operating Temperature Range	Topr	-20 to +75		°C
Storage Temperature Range	Tstg	-25 to +80		°C
Soldering Temperature	Tsol	Hand soldering: 350°C max., 3 seconds max. Soldering DIP: 260°C max., 3 seconds max./ Preheating: 80°C max., 30 seconds max.		-

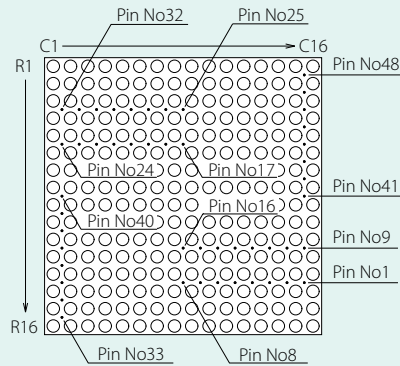
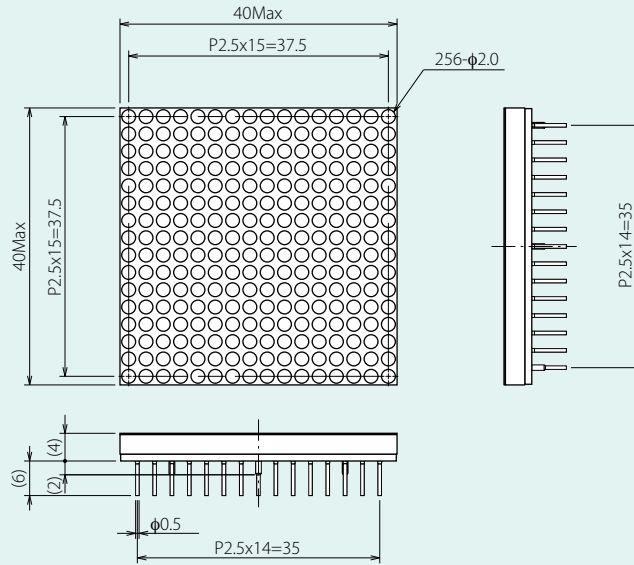
* Duty ≤ 1/16, Pulse width ≤ 1ms

Optical Characteristics at Ta=25°C

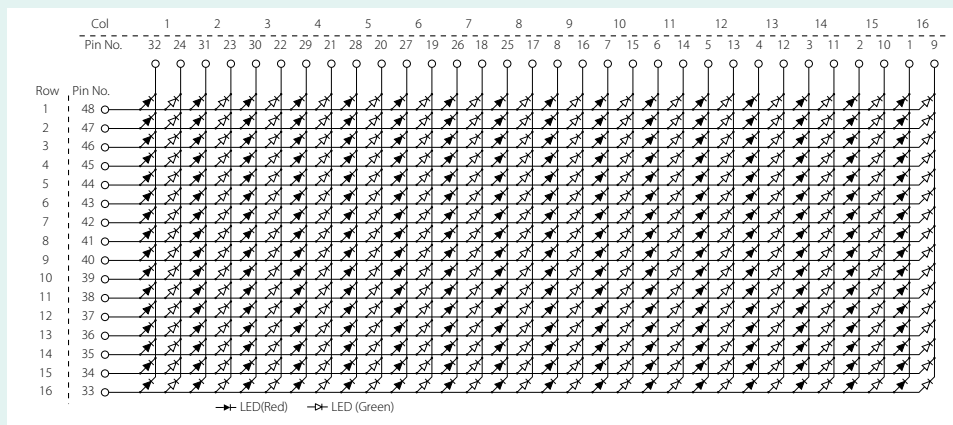
Item	Symbol	Color	Typ	Max	Unit	Condition
Forward Voltage	VF	Red	1.8	2.4	V	IF=20mA
		Green	2.25	2.5		
Reverse Current	IR	Red	-	100	A	VR=5V
		Green	-	100		
Luminous Intensity per Dot	IV	Red	5.0	-	mcd	IF=20mA
		Green	10	-		
Peak Wavelength	λp	Red	660	-	nm	IF=20mA
		Green	570	-		
Spectral Line half-width	Δλ	Red	20	-	nm	IF=20mA
		Green	30	-		

Package Dimensions

Unit: mm
Tolerance: ±0.2



[Circuit diagram]



· The appearance and specifications of the product may be modified for improvement without notice.



A'SYCK Co., Ltd.

37-1, Nishiura, Hironocho, Uji City, Kyoto, JAPAN 611-0031
Phone: 010-81-774-41-3777 Fax: 010-81-774-44-6575